

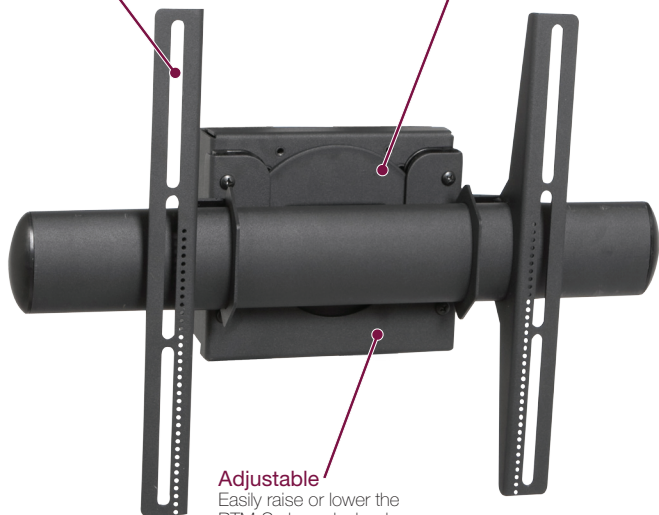
RTM-S

Rotating Mount for Flat-Panels up to 40"

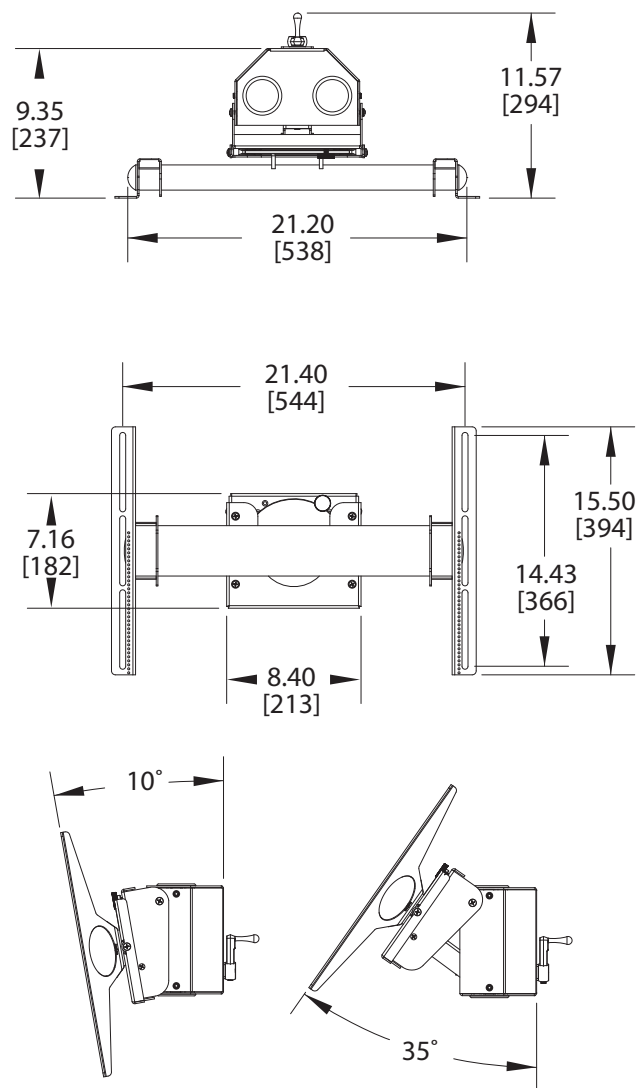
Integrated Tilt
Mounting arms have upward tilt of 35° and downward tilt of 10°

360° Rotation
Rotation with lockable settings for portrait or landscape placement

Adjustable
Easily raise or lower the RTM-S along dual-poles by loosening two Allen screws



DIMENSIONAL DRAWING



Dimensions in inches and millimeters [mm].
Drawings subject to change without notice.

FEATURES

- 360° rotation with lockable settings for portrait or landscape placement
- Integrated tilt-adjustment tool
- Works with dual-pole floor stands
- Includes universal mounting hardware

SPECIFICATIONS

Model	RTM-S
Display Range	26"-40"
Weight Capacity	125 lbs. (57 kg)
Depth	11.57" (294mm)
Tilt	+35°/-10°
Mounting Patterns	200 x 200mm (Min) - 540 x 365mm (Max)